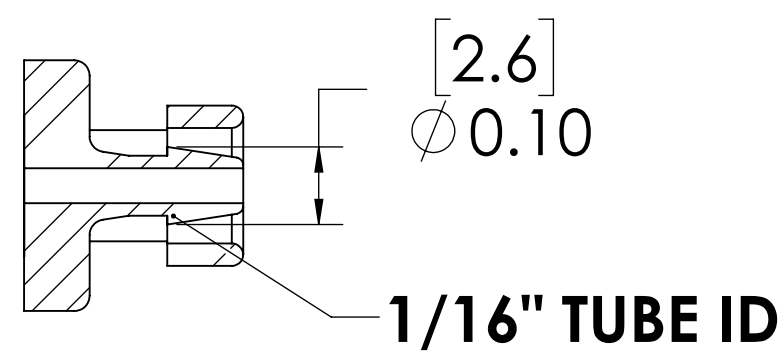
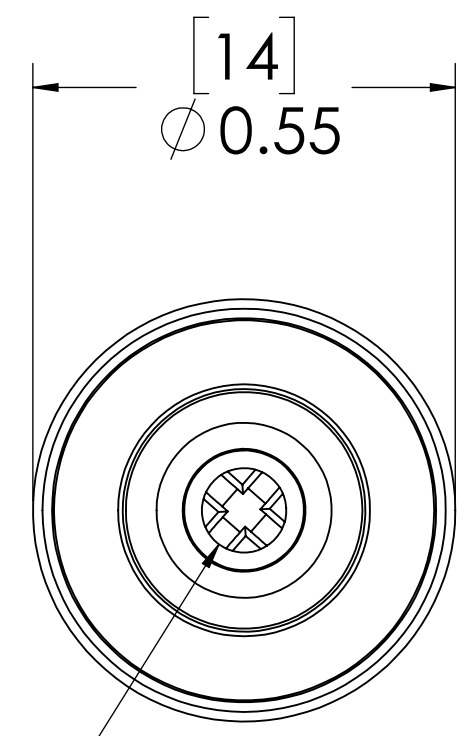
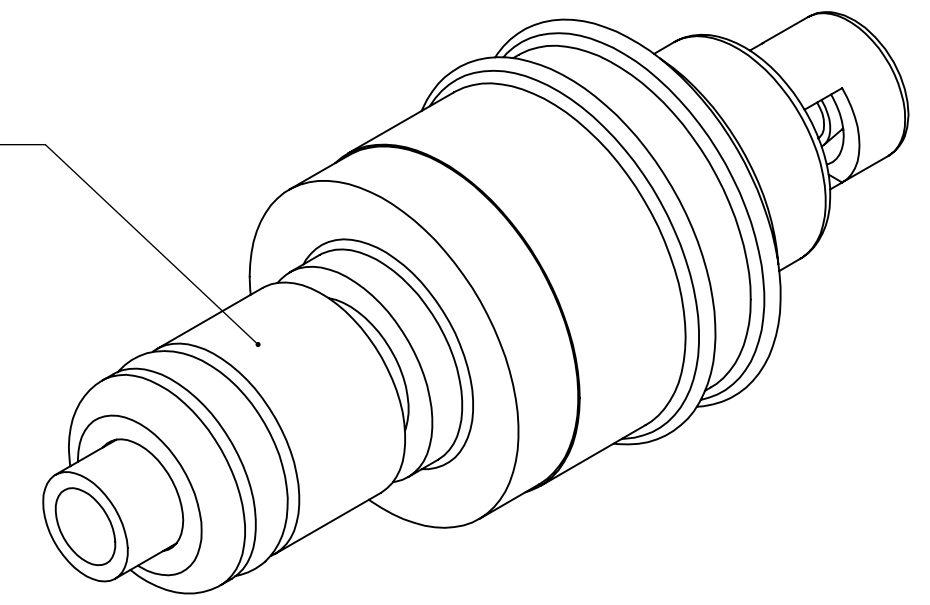


REVISIONS						
SHEET	ZONE	REV.	ECO	DESCRIPTION	DATE	APPROVED
1	ALL	A	50281	CONICAL SPRING UPDATE	9/21/2018	HRC

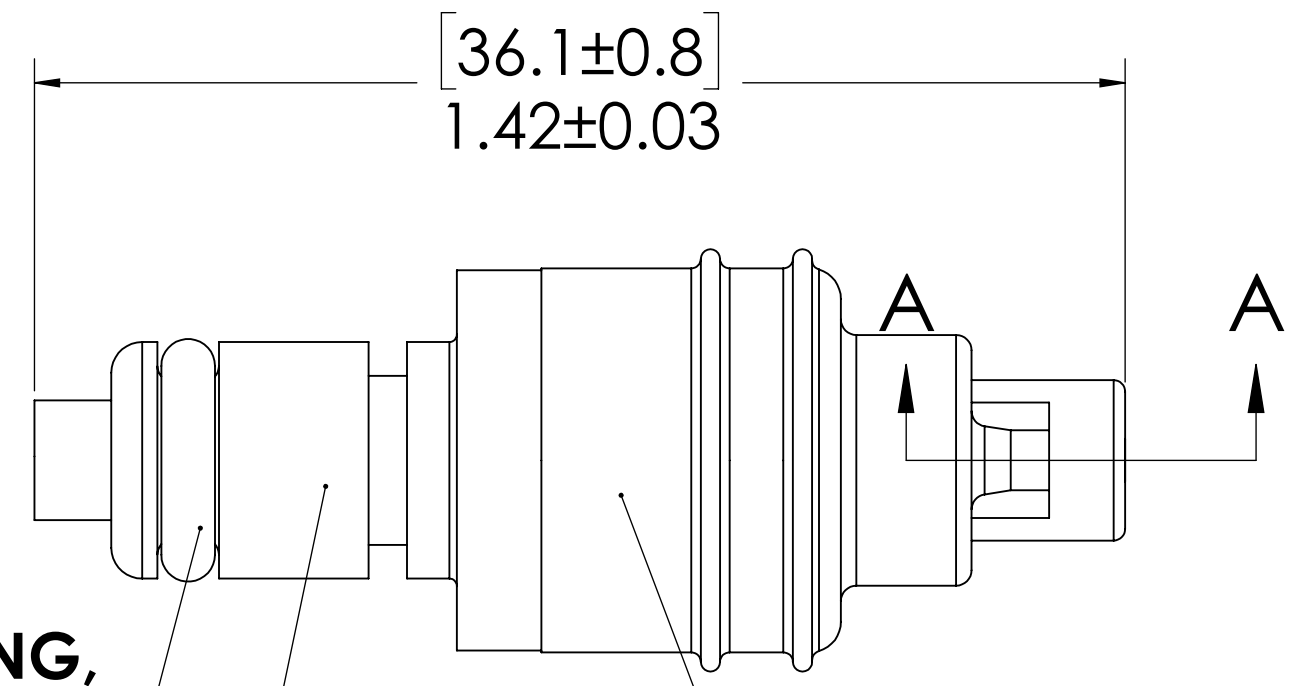


**SECTION A-A**

**PLUG,  
(POLYPROPYLENE)**



**VALVE,  
(POLYPROPYLENE)**



**O-RING,  
(EPDM)**

**VALVE SPRING,  
INTERNAL  
(STAINLESS STEEL)**

**VALVE O-RING,  
INTERNAL  
(EPDM)**

**NOTES:**

1. MATERIAL: POLYPROPYLENE
2. COLOR: GREY
3. O-RING MATERIAL: EPDM
4. O-RINGS LUBRICATED WITH FOOD GRADE SILICONE OIL, 350 CST.

**FOR REFERENCE ONLY**

<small>UNLESS OTHERWISE SPECIFIED: DIMENSIONS ARE IN INCHES TOLERANCES: FRACTIONAL ± 1/32 ANGULAR: MACH ± 0.5 BEND ± 2 ONE PLACE DECIMAL ± 0.1 TWO PLACE DECIMAL ± 0.01 THREE PLACE DECIMAL ± 0.005 TWO PLACE DUAL (mm) [± 0.12]</small>	DRAWN	DHJ	2/14/11	
	CHECKED	HRC	2/14/11	
	ENG APPR.	HRC	9/21/18	
	MFG APPR.	BDB	9/21/18	
PRODUCTION	LS	9/21/18		<b>PART NO:</b> 20PPV-PE2-01 <b>DESCRIPTION:</b> LinkTech 20PP Series Straight Male, Valved, 1/16" HB, Molded Grey Color, Polypropylene
<small>PROPRIETARY AND CONFIDENTIAL THE INFORMATION CONTAINED IN THIS DRAWING IS THE SOLE PROPERTY OF LINKTECH LLC. ANY REPRODUCTION OR DISCLOSURE IN PART OR AS A WHOLE WITHOUT THE WRITTEN PERMISSION OF LINKTECH LLC IS STRICTLY PROHIBITED.</small>	COMMENTS:		<b>SIZE</b> DWG. NO. <b>REV</b> <b>C</b> 20PP200104 <b>A</b>	<b>SCALE:</b> NTS <b>WEIGHT:</b> <b>SHEET 1 OF 1</b>